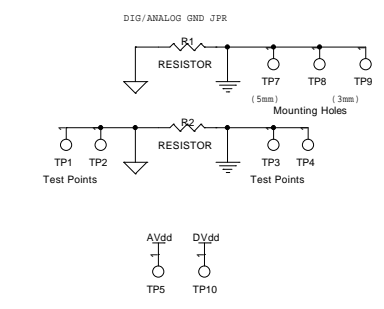
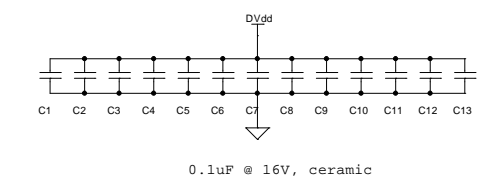
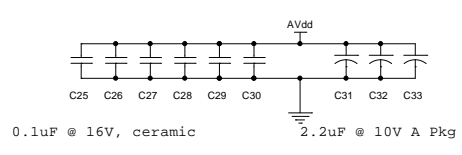
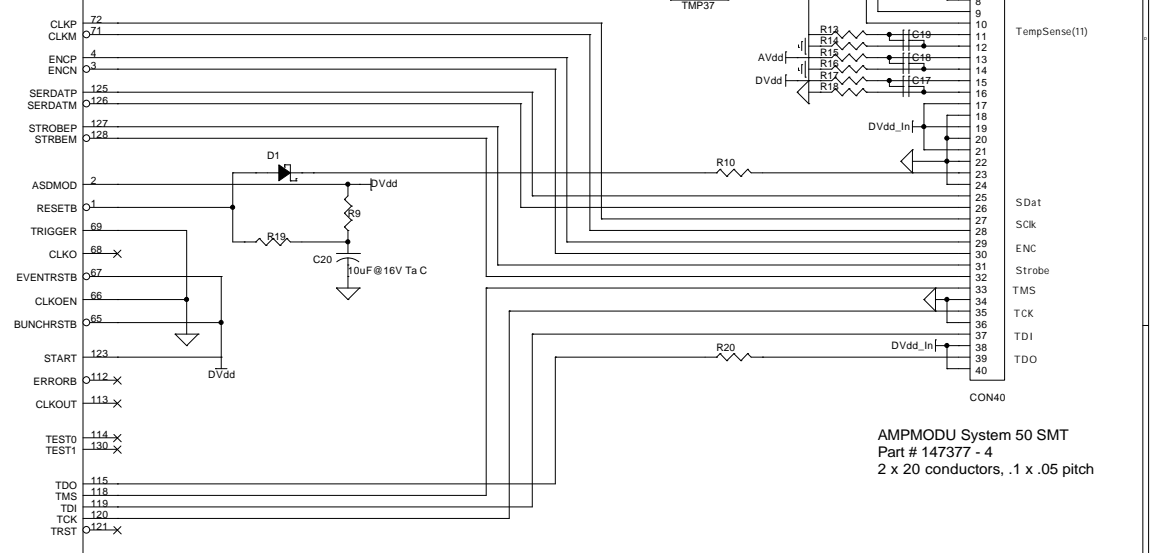


Samspec 2mm thru hole - to be used as test points



Rev 6: rework burn-in power connector;
add fuse between connector and regulator;
add 5 components at pin 142 - VGN line of
AMT 3 with signal return at pin 143 (VSS-TDC);
add Weizmann Institute to silkscreen; add
schottky diode and resistor to reset line, remove
1N914.



AMPMODU System 50 SMT
Part # 147377 - 4
2 x 20 conductors, 1 x .05 pitch

MDT316			
File	MDT316		
Doc ID	Document Number	<Doc>	Rev 6
Date	Wednesday, April 23, 2003	Sheet	1 of 1