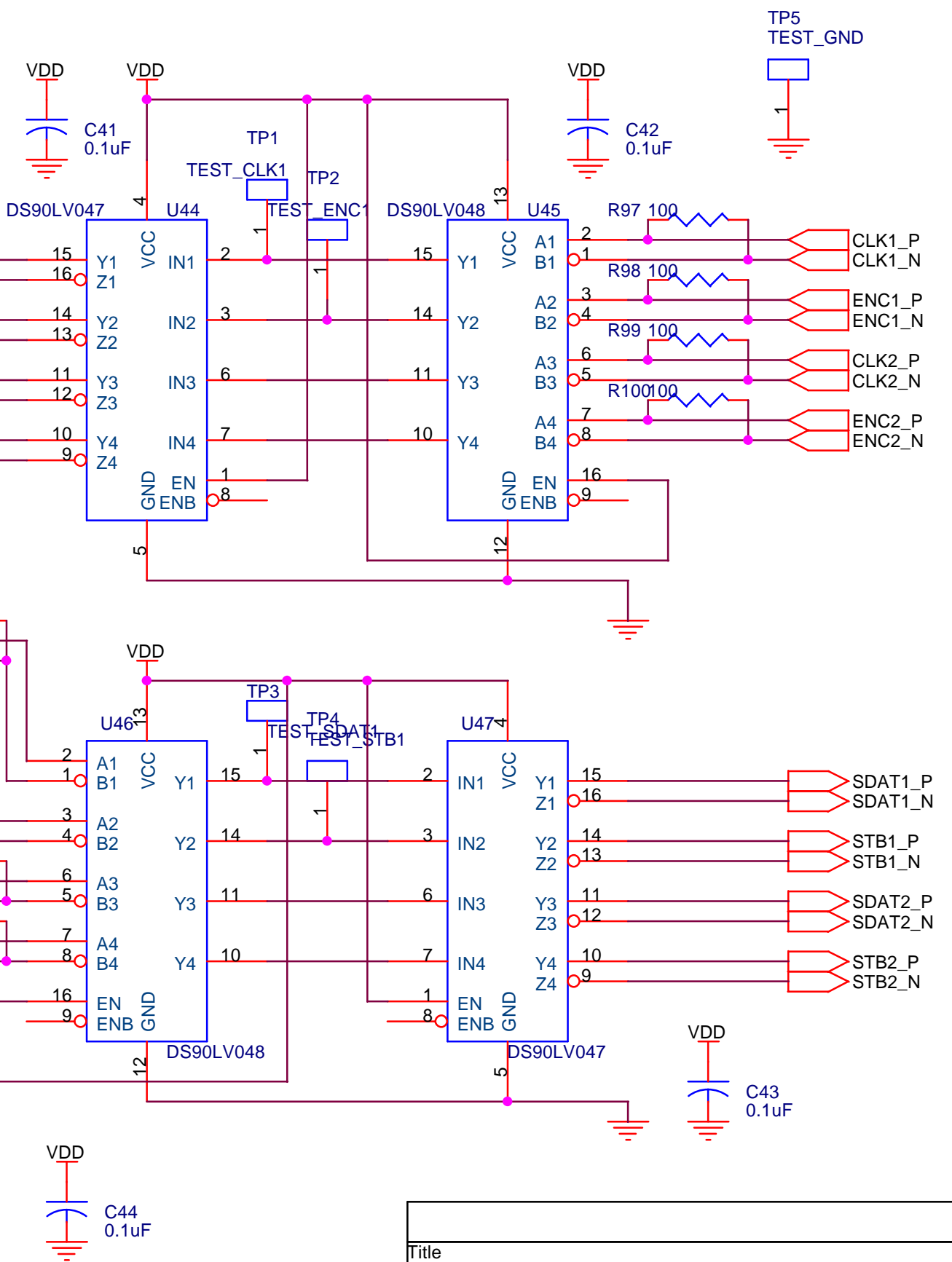
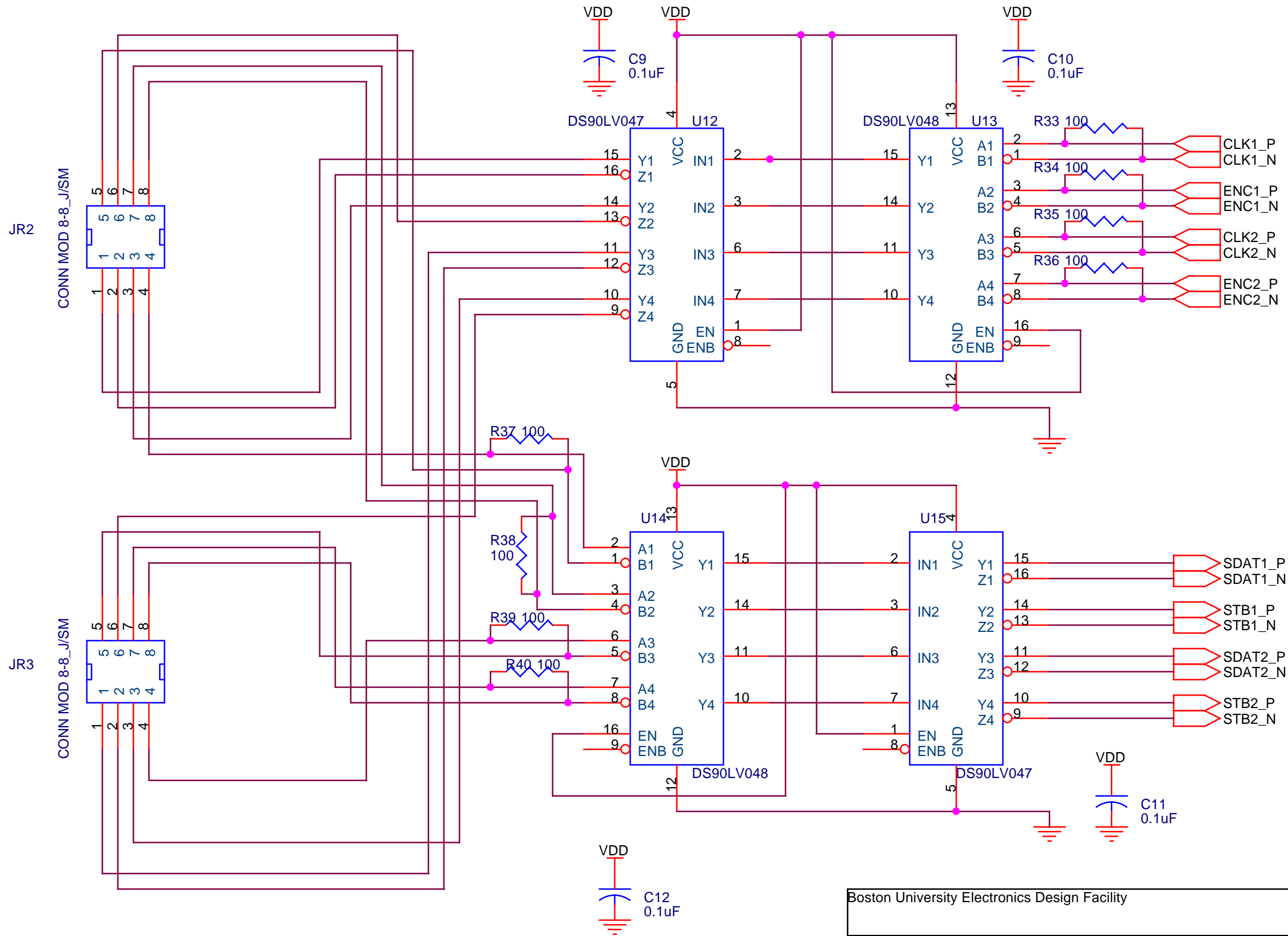


JR0  
CONN MOD 8-8\_J/SM

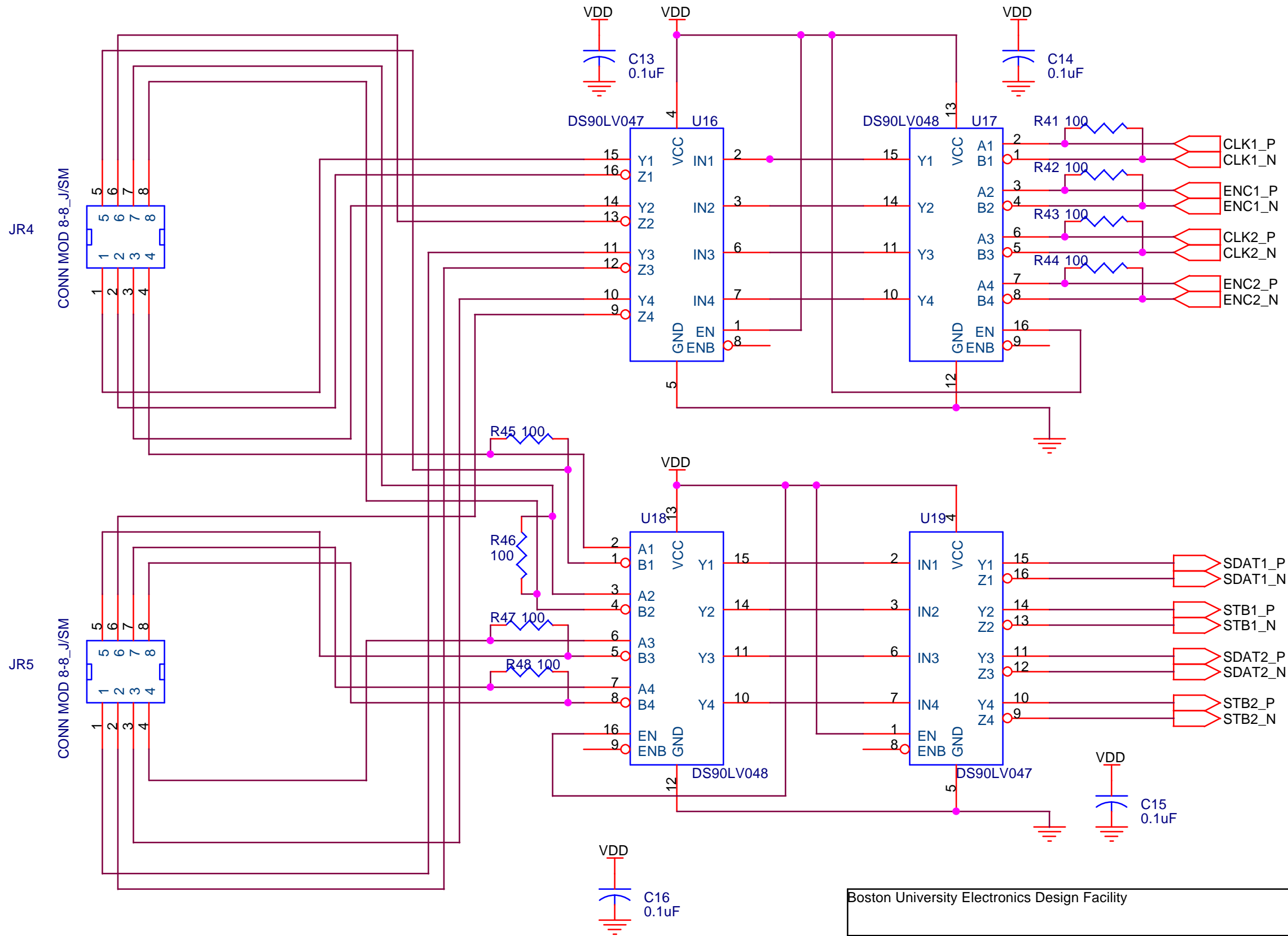
JR1  
CONN MOD 8-8\_J/SM

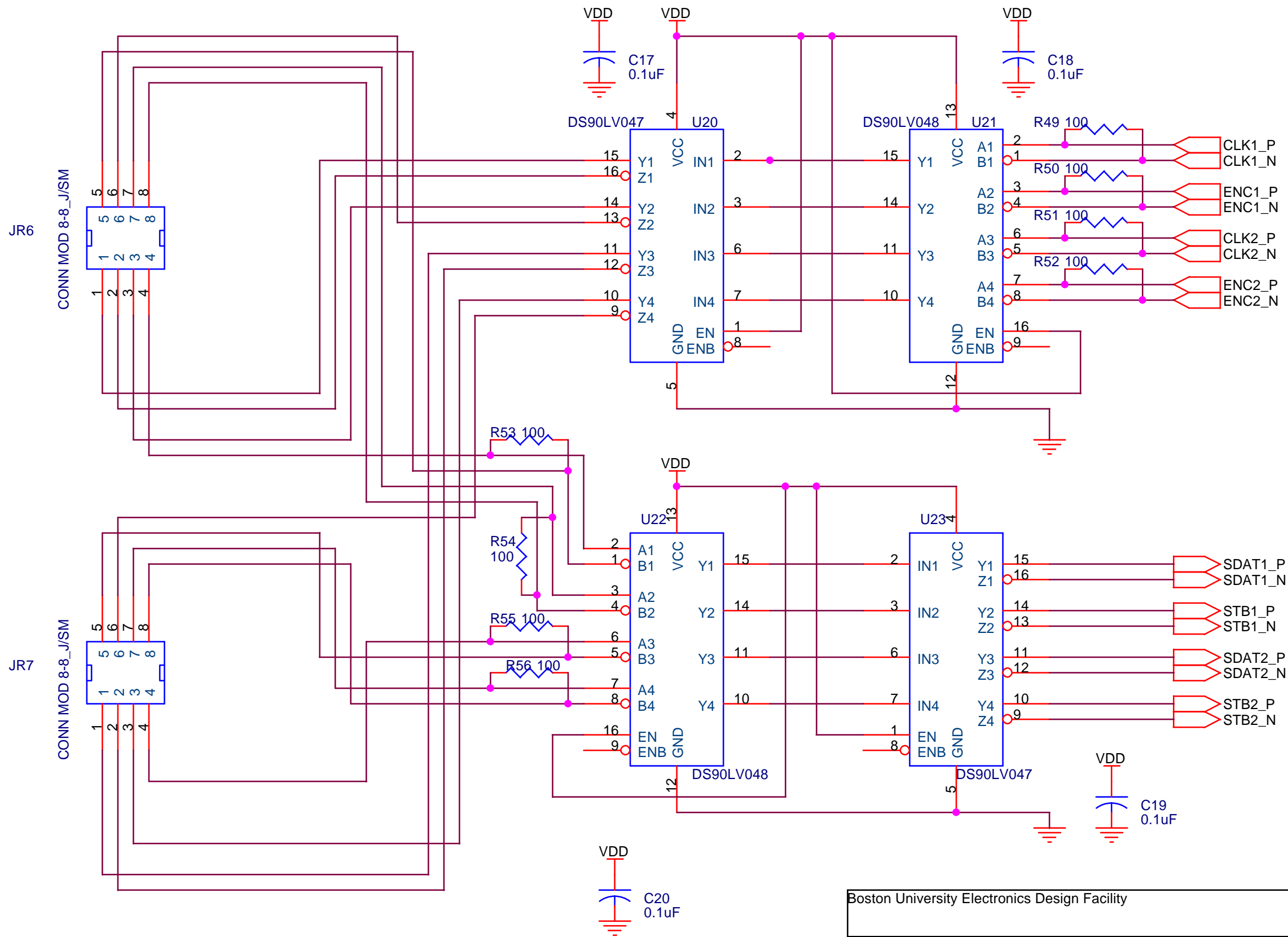


Title		
On Chamber CSM Adapter		
Size	Document Number	Rev
A	<Doc>	1
Date:	Thursday, January 17, 2002	Sheet 10 of 10



Boston University Electronics Design Facility		
Title ATLAS On-Chamber CSM Adapter		
Size A	Document Number <Doc>	Rev A
Date:	Monday, January 14, 2002	Sheet 2 of 10





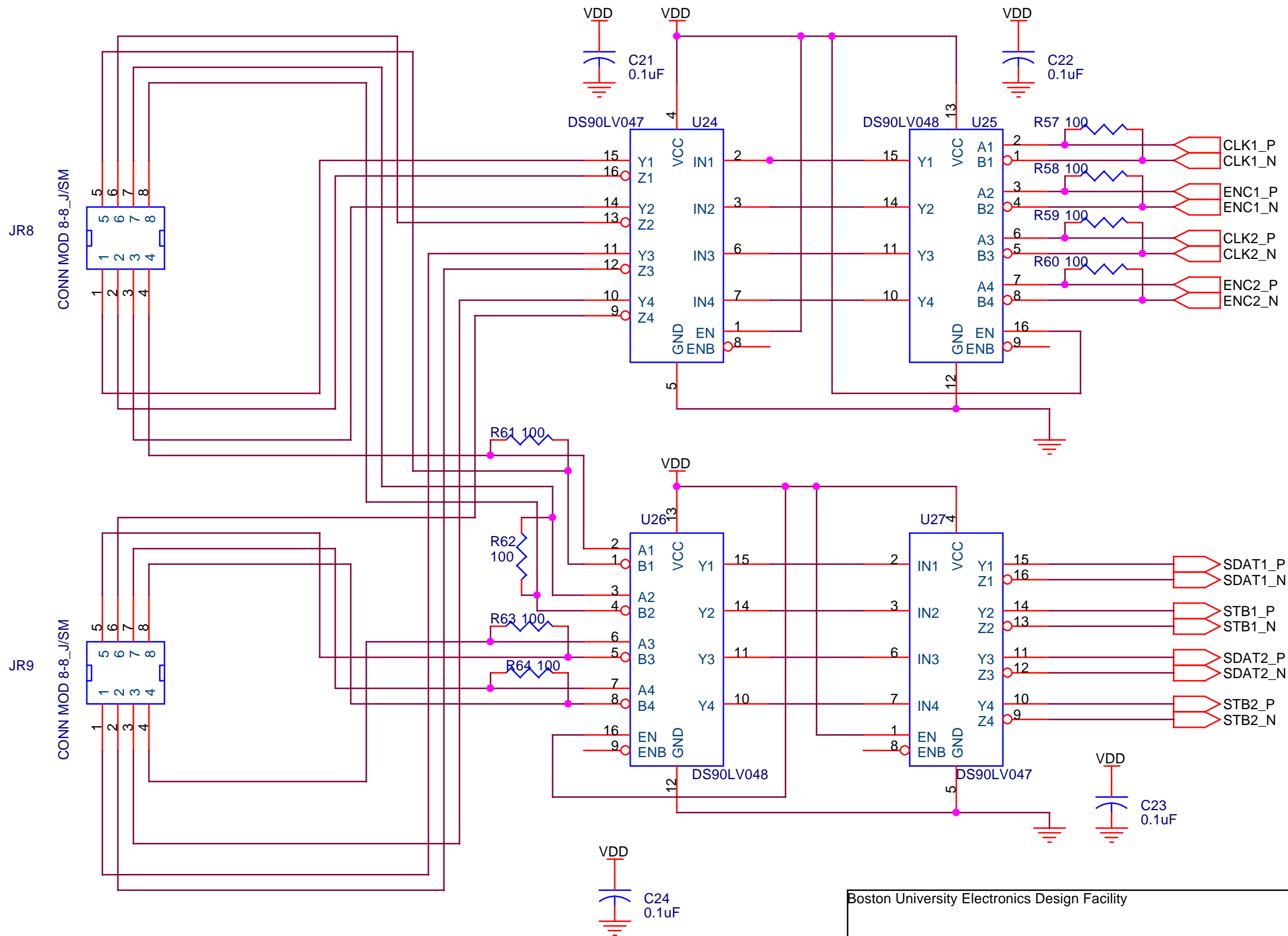
Boston University Electronics Design Facility

Title  
ATLAS On-Chamber CSM Adapter

Size A Document Number  
<Doc>

Rev  
A

Date: Monday, January 14, 2002 Sheet 4 of 10



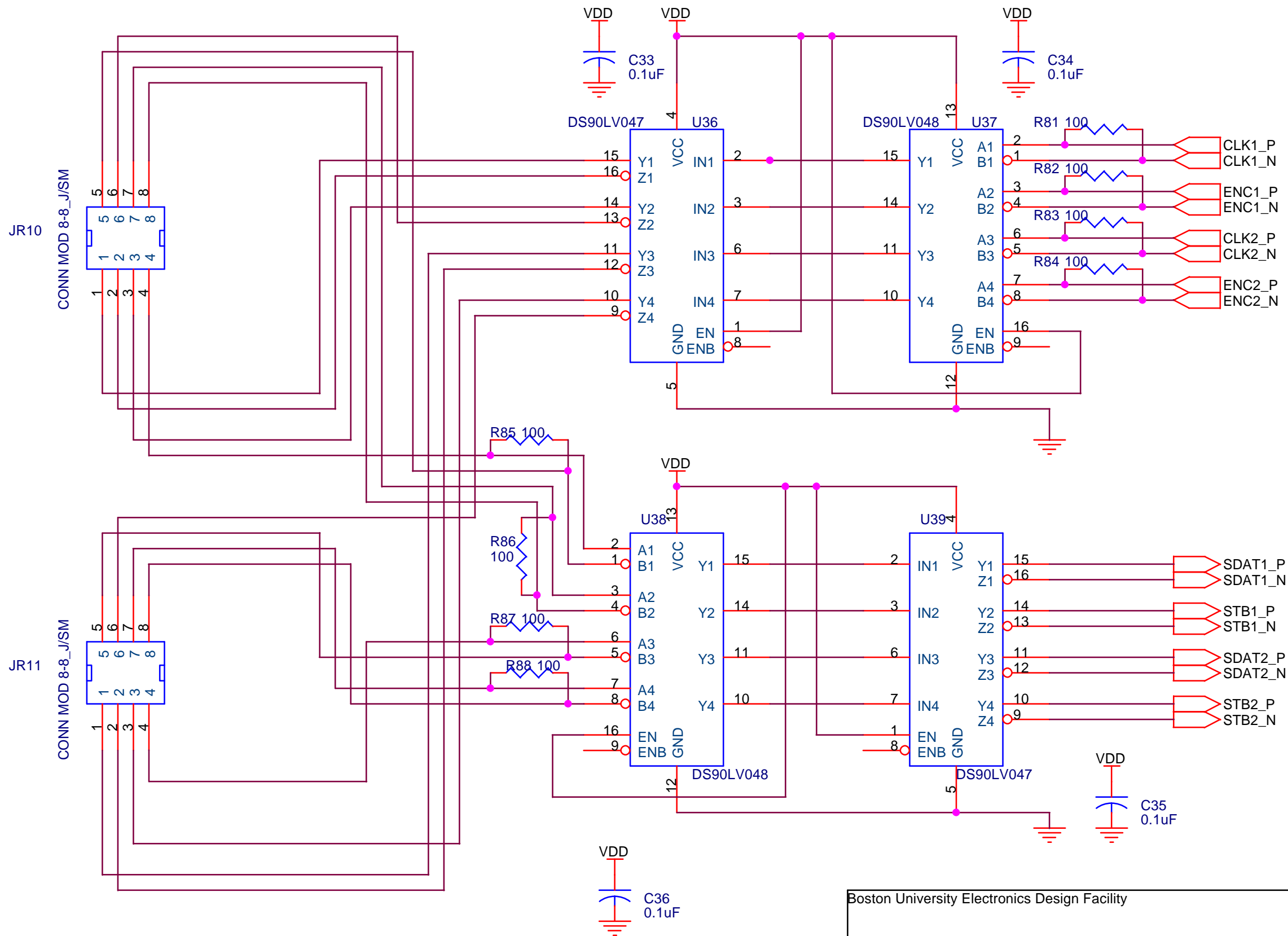
Boston University Electronics Design Facility

Title  
ATLAS On-Chamber CSM Adapter

Size A Document Number  
<Doc>

Rev  
A

Date: Monday, January 14, 2002 Sheet 5 of 10



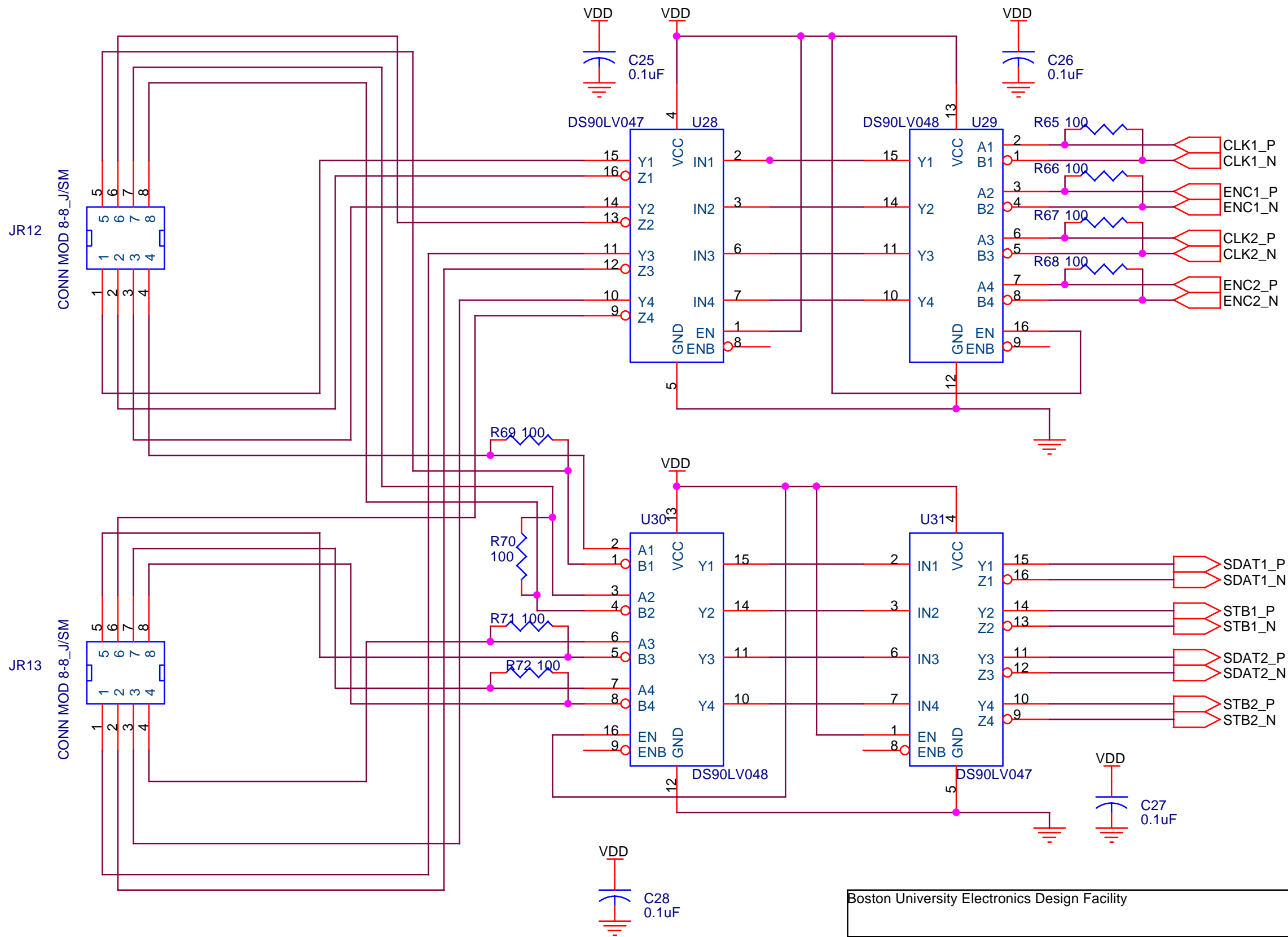
Boston University Electronics Design Facility

Title  
ATLAS On-Chamber CSM Adapter

Size A Document Number  
<Doc>

Rev A

Date: Monday, January 14, 2002 Sheet 8 of 10



Boston University Electronics Design Facility

Title  
ATLAS On-Chamber CSM Adapter

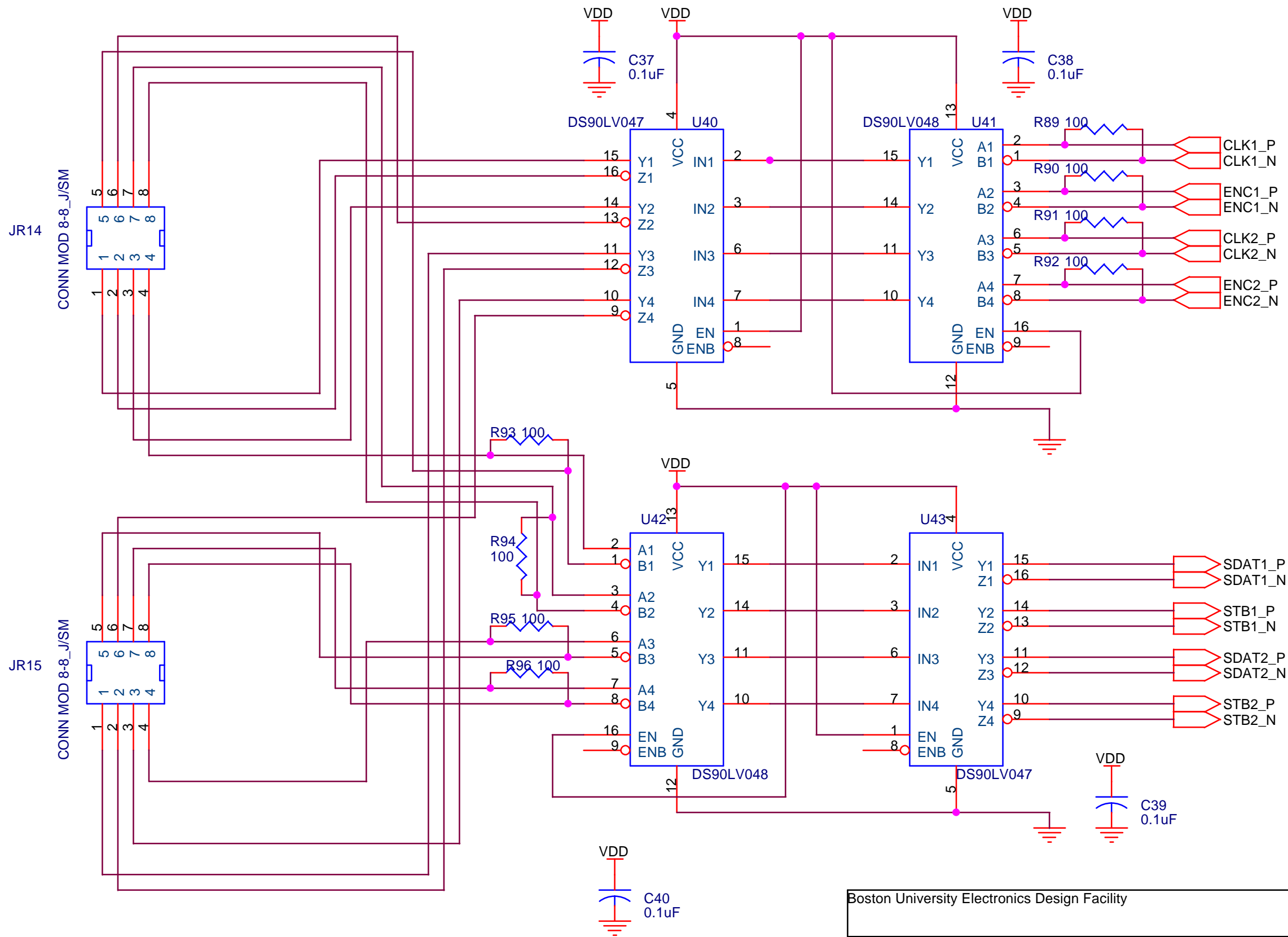
Size A Document Number  
<Doc>

Rev A

Date: Monday, January 14, 2002

Sheet 6 of 10





Boston University Electronics Design Facility

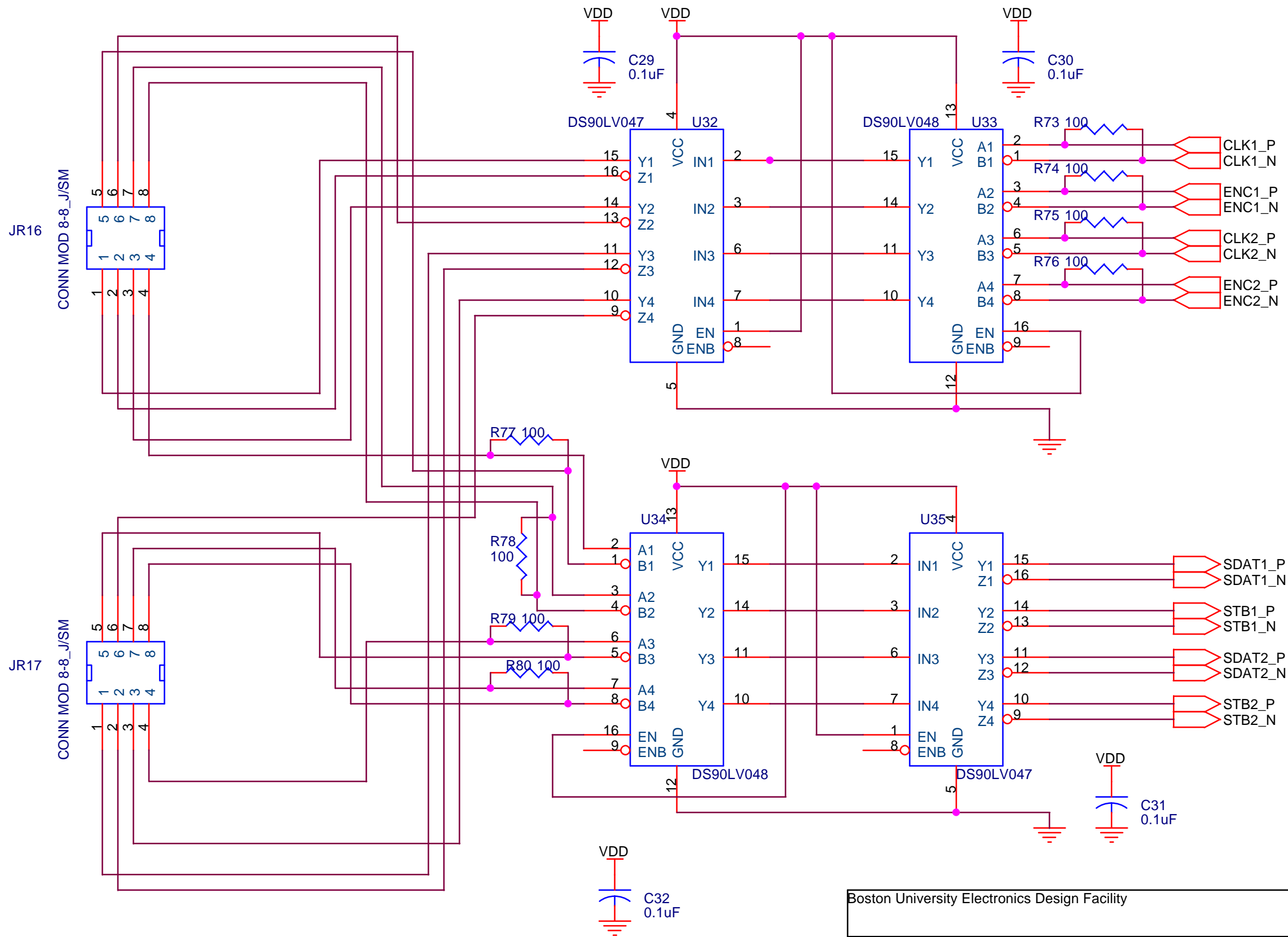
Title  
ATLAS On-Chamber CSM Adapter

Size A Document Number  
<Doc>

Rev  
A

Date: Monday, January 14, 2002

Sheet 9 of 10



Boston University Electronics Design Facility

Title  
ATLAS On-Chamber CSM Adapter

Size A Document Number  
<Doc>

Rev A

Date: Monday, January 14, 2002 Sheet 7 of 10