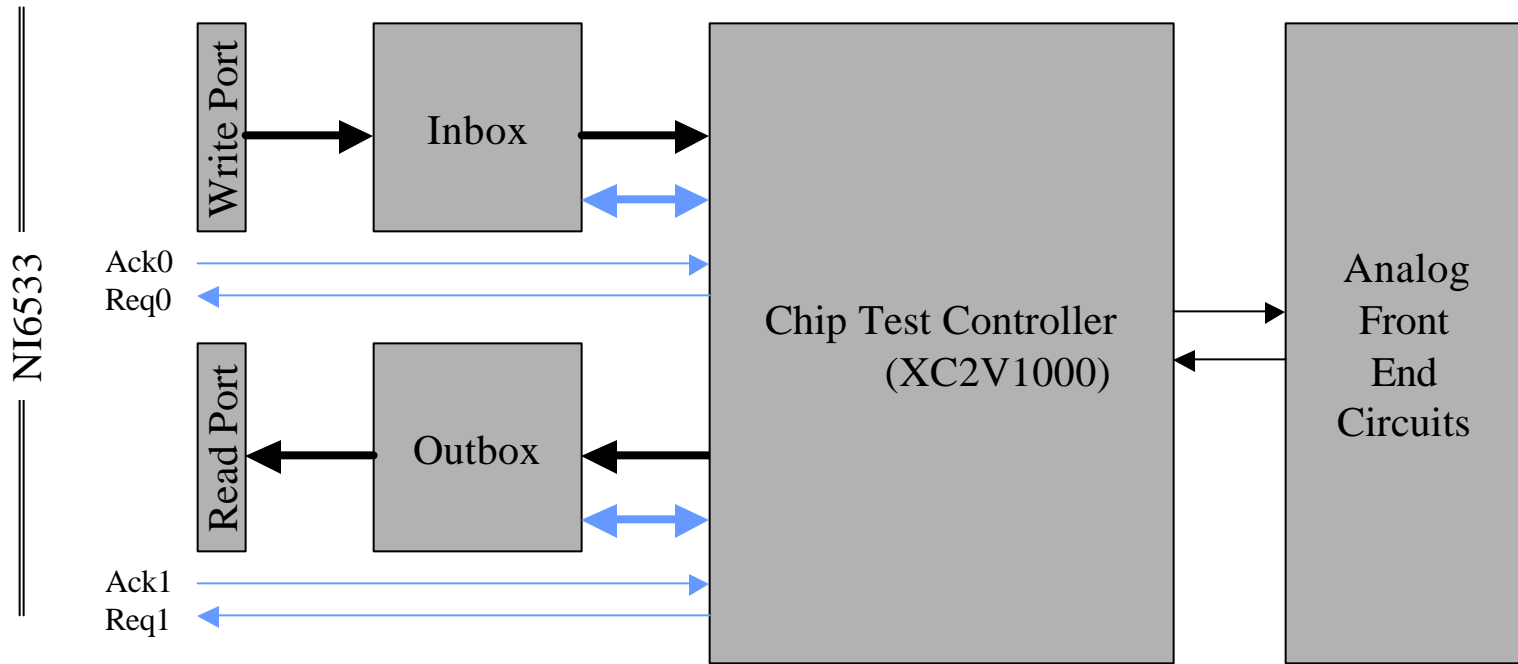


# MDT-ASD Chip Tester / Digital i/o Block Diagram



Data ———  
Control ———