

## FOR NANO<sup>2</sup><sup>®</sup> SURFACE MOUNT FUSES

### SMF OMNI-BLOK<sup>®</sup> Fuse Block Molded Base Type



The SMF Omni-Blok<sup>®</sup> Fuseholder permits quick and easy replacement of Nano<sup>2</sup><sup>®</sup> SMF surface mount fuses. The fuse block and pre-installed fuse combination can be placed on the PC board in one efficient manufacturing operation. Fuse replacement is accomplished without exposing the PC board to the detrimental effects of solder heat. Refer to notes 1 and 2, below, for fuse/fuseholder combinations available.

**APPROVALS:** Recognized under the Components Program of Underwriters Laboratories and Certified by CSA.

**SPECIFICATIONS:**

**Electrical:** 8 Amperes, 125 Volts.

**Molded Parts:** Thermoplastic (94V0).

**Terminals:** Tin/Lead Alloy Plated Beryllium Copper.

**Ambient Temperature:** -55°C to +125°C.

**Shock:** MIL-STD-202, Method 213, Test Condition I (100 G's peak for 6 milliseconds).

**Vibration:** MIL-STD-202, Method 201 (10–55 Hz).

**Thermal Shock:** MIL-STD-202, Method 107, Condition A (200 cycles: 30 minutes at -55°C, 30 minutes at 125°C).

**Soldering Parameters (Fuse Installed):**

Reflow — 154 000: 500°F (260°C), 30 sec.

154 000T: 445°F (230°C), 30 sec.

**Solderability:** MIL-STD-202, Method 208.

**Packaging:** 16mm Tape and Reel for use with automatic pick and place equipment per EIA Standard 481; 1500 per reel.

**PATENTED**

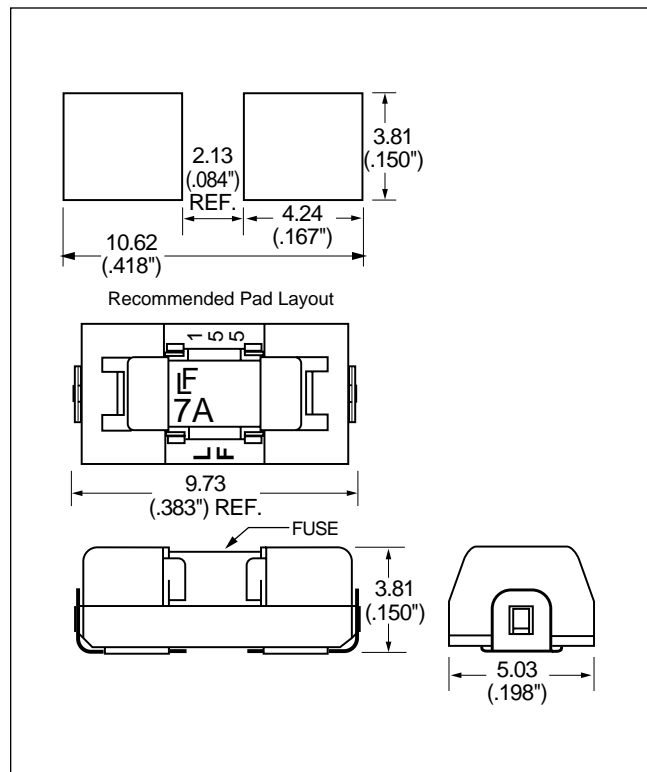
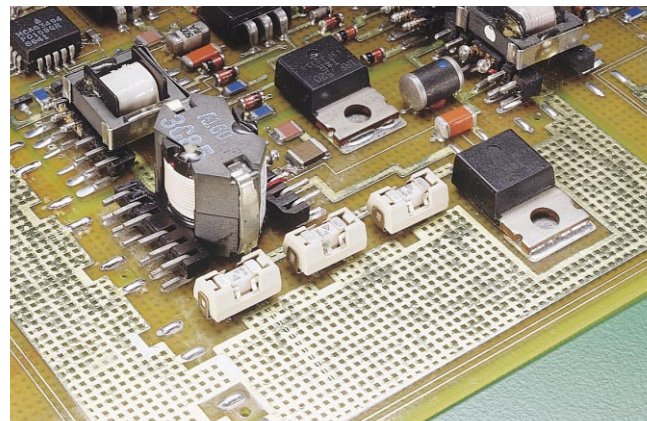
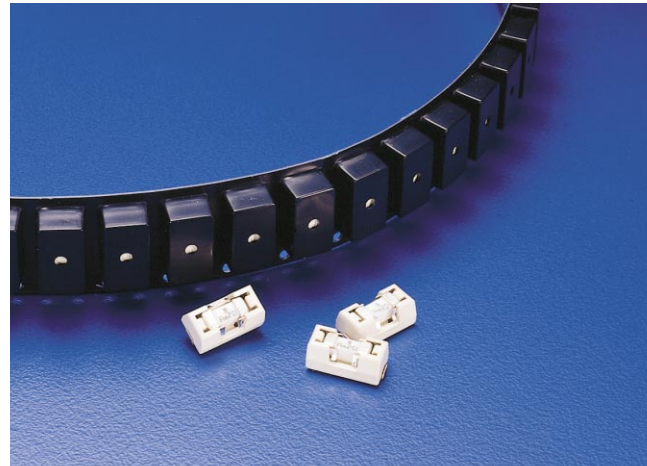
**ORDERING INFORMATION:**

**With Very Fast-Acting Fuse Installed**

Catalog Number	Ampere Rating	Fuse Furnished <sup>1</sup>
154.062	1/16	0453.062
154.125	1/8	0453.125
154.250	1/4	0453.250
154.375	3/8	0453.375
154.500	1/2	0453.500
154.750	3/4	0453.750
154 001	1	0453 001.
154 01.5	1.5	0453 01.5
154 002	2	0453 002.
154 02.5	2.5	0453 02.5
154 003	3	0453 003.
154 03.5	3.5	0453 03.5
154 004	4	0453 004.
154 005	5	0453 005.
154 007	7	0453 007.
154 008	8	0453 008.

**With Slo-Blo<sup>®</sup> Fuse Installed**

Catalog Number	Ampere Rating	Fuse Furnished <sup>2</sup>
154.375T	3/8	0454.375
154.500T	1/2	0454.500
154.750T	3/4	0454.750
154 001T	1	0454 001.
154 01.5T	1½	0454 01.5
154 002T	2	0454 002.
154 02.5T	2½	0454 02.5
154 003T	3	0454 003.
154 03.5T	3½	0454 03.5
154 004T	4	0454 004.
154 005T	5	0454 005.



<sup>1</sup> 453 Series Fuse has silver plated end caps, installed to accommodate solder reflow process. Use either 451 or 453 Series for replacement purposes, page 40.

<sup>2</sup> 454 Series Fuse has silver plated end caps, installed to accommodate solder reflow process. Use either 452 or 454 Series for replacement purposes, page 41.